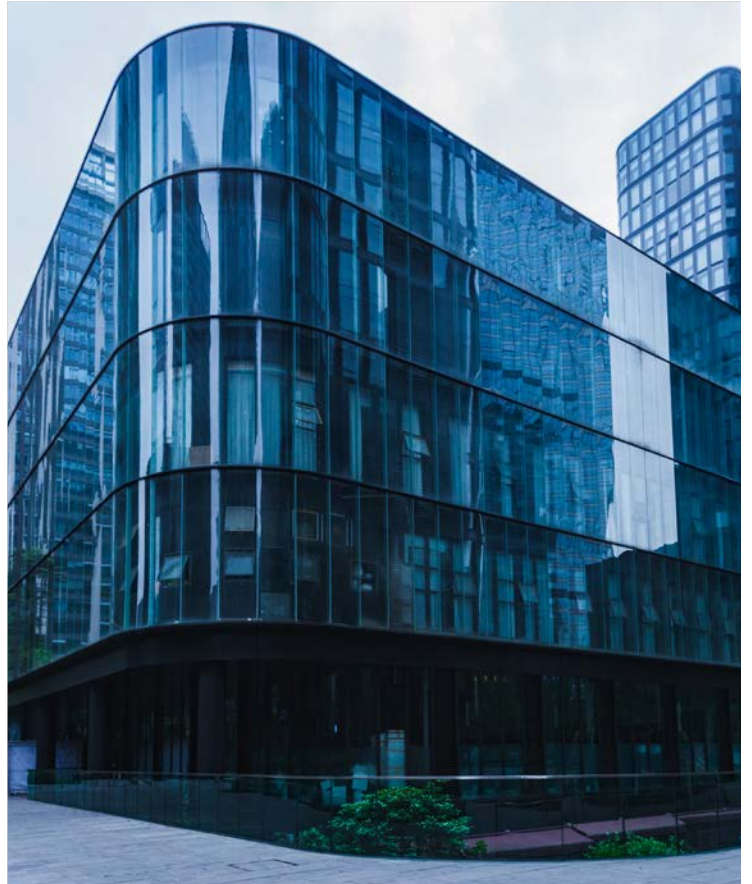




INSTALL CONFIDENCE



YORK® YHAU-CG/CA-CXR SMALL DIRECT-FIRED CHILLER/HEATER

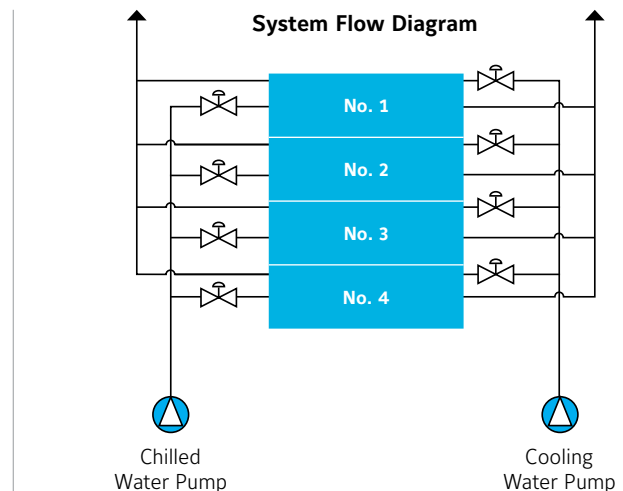
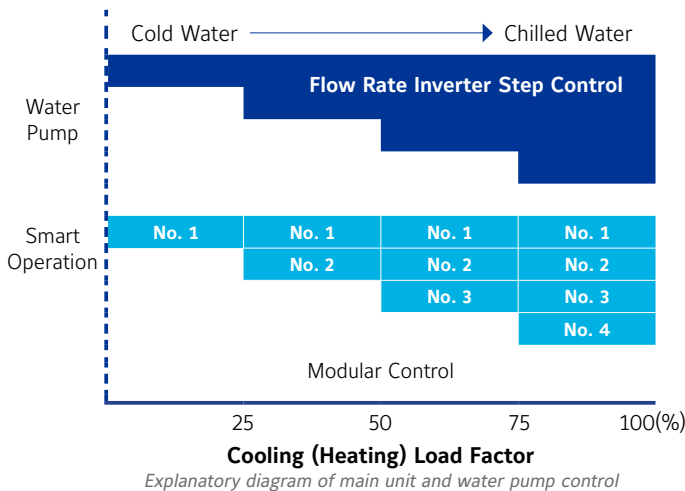
The Flexible Solution for Everyday Applications



Greater Flexibility

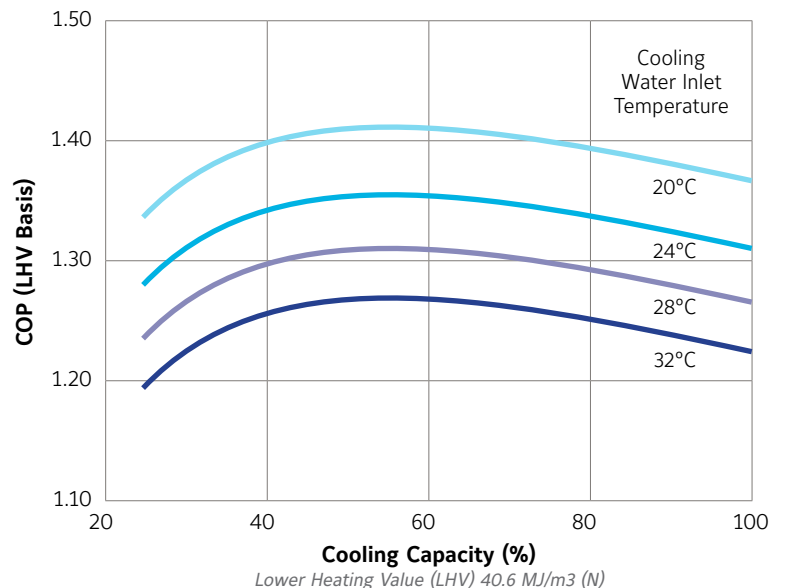
Featuring a compact footprint with a maximum height of just 1,900 mm/56 in., the YORK® YHAU-CG/CA-CXR is the perfect solution for high performance cooling and heating in tight spaces. The space-efficient design of the unit simplifies installation through forklift loading or via an emergency/service elevator. It also comes completely packaged and insulated from the factory with an easy-access enclosure, making the unit suitable for outdoor installations where ambient temperature is in the range of 5°C/41°F - 40°C/104°F with 10 - 90% relative humidity. This combination of space-saving design and indoor/outdoor installation flexibility makes the unit perfect for smaller buildings that may not have space for a physical plant room.

The modular configuration of the YHAU-CG/CA-CXR allows multiple units to be arranged in a variety of footprints to fit different space requirements. This unique modularity also means it's possible to incrementally increase capacity as buildings are constructed or spaces become occupied.



Higher Efficiency

The YORK® YHAU-CG/CA-CXR uses best-in-class burner combustion technology matched to a high temperature generator furnace design to enhance system efficiency. The unit has a coefficient of performance (COP) of 1.23 (LHV basis) with a turndown ratio from 100% to 25% at different entering condenser water temperatures.



Trusted Reliability

With our first absorption chiller built over five decades ago, our first modular chiller introduced three decades ago and over 13,000 modular chillers shipped to-date, our success is built on real-world experience. The YORK® YHAU-CG/CA-CXR comes with proven controls based on Programmable Logic Controller (PLC) and industry-standard Modbus connectivity for peace-of-mind and easy building management system integration. Count on the world-class engineering of YORK® to reduce the cost of ownership by simplifying operation and reducing unplanned maintenance downtime.

CXR Series (COP = 1.23) [LHV basis/cooling mode]

YHAU-CG/CA STANDARD (ENHANCED) HEATING MODEL		N30CXR (H30CXR)	N40CXR (H40CXR)	N50CXR (H50CXR)	N60CXR (H60CXR)	N70CXR (H70CXR)	N80CXR (H80CXR)	N100CXR (H100CXR)	- (AH100CXR)
COOLING CAPACITY	USRT	30	40	50	60	70	80	100	100
	kW	105	141	176	211	246	281	352	352
HEATING CAPACITY	kW	79 (130)	105 (170)	131 (210)	158 (250)	184 (300)	210 (340)	263 (420)	387
TEMPERATURE CONDITIONS	CHILLED WATER (°C)			Inlet: 12.5		Outlet: 7.0			
	HOT WATER (°C)			Inlet: 55.9 (53.4)		Outlet: 60			
	COOLING WATER (°C)			Inlet: 32		Outlet: 37.9			

The values shown in parentheses in the product lists are for the enhanced heating models

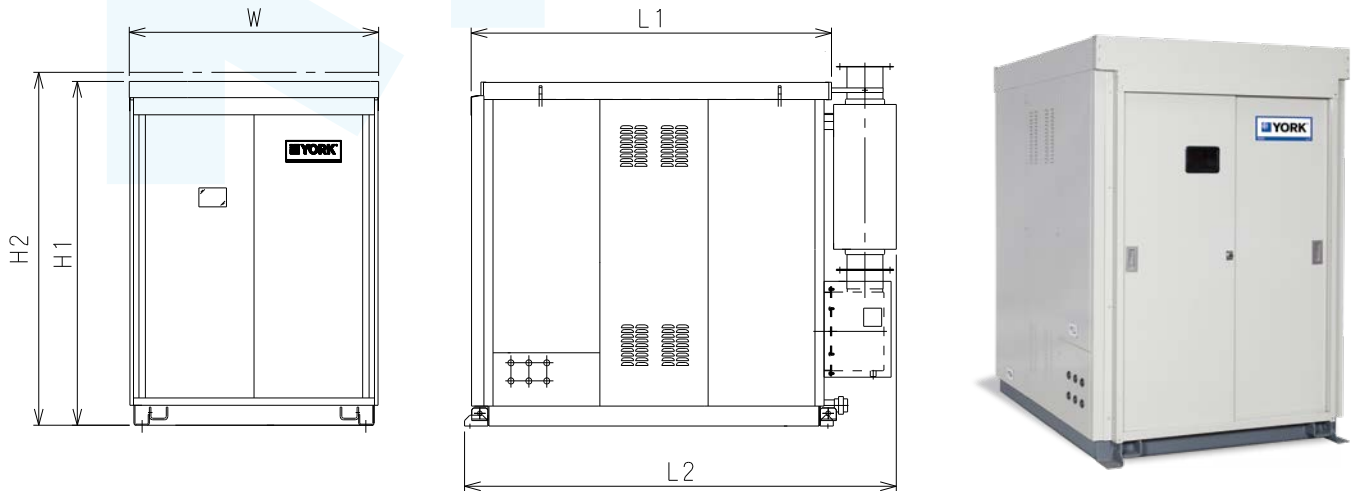
Modular Specifications (Split Shipment Option Available)

YHAU-CG/CA		50CXRM	100CXRM	150CXRM	200CXRM	250CXRM	300CXRM
MODULE COMBINATION		-	50CXRM x2	50CXRM x3	50CXRM x4	50CXRM x5	50CXRM x6
COOLING CAPACITY	USRT	50	100	150	200	250	300
	kW	176	352	527	703	879	1,055
HEATING CAPACITY	kW	131	263	394	526	657	789
TEMPERATURE CONDITIONS	CHILLED WATER (°C)			Inlet: 12.0		Outlet: 7.0	
	HOT WATER (°C)			Inlet: 55.9 (53.4)		Outlet: 60	
	COOLING WATER (°C)			Inlet: 32		Outlet: 37.9	

CXRM series also available for enhanced heating models

CXR Series Dimensions

MODEL			30CXR	40CXR	50CXR	60CXR	70CXR	80CXR	100CXR
DIMENSIONS	WIDTH	mm	1,320			1,391	1,461		1,551
	LENGTH (L1)	mm	1,870			2,010	2,237		2,355
	LENGTH (L2)	mm	2,200			2,409	2,696		2,854
	HEIGHT (H1: INDOOR COVER)	mm	1,900						2,070
	HEIGHT (H2: OUTDOOR COVER)	mm	1,950						2,120
WEIGHT	RIGGING	kg	2,950			3,240	4,050		4,500
	OPERATING	kg	3,140			3,470	4,330		4,860



Why install anything but YORK®?

When your reputation is at stake, count on efficient, reliable cooling and heating solutions from YORK® to lower costs and maximize uptime. With expert service and original equipment manufacturer parts available from Johnson Controls – the largest HVAC service and preventive maintenance organization in the world – you can be confident your high-efficiency YHAU-CG/CA-CXR chiller/heater will be running strong, year after year.



Johnson Controls, the Johnson Controls logo and YORK are registered trademarks of Johnson Controls, Inc. in the United States of America and other countries. Other trademarks used herein may be trademarks or registered trademarks of other companies. ©2018 Johnson Controls, Inc. P.O. Box 423, Milwaukee, WI 53201. All rights reserved worldwide. Printed in USA. PUBL-8703-B-0218 Supersedes: PUBL-8703-A-0817.

FOR MORE INFORMATION VISIT JOHNSONCONTROLS.COM

